

TECHNICAL DATA SHEET

VALSIR® HRV SYSTEMS

BREZZA60



valsir®
QUALITY FOR PLUMBING



Heat recovery unit on a punctual installation Valsir® Brezza 60.

Decentralized ventilation unit with heat recovery for individual rooms for domestic and commercial applications.

Stylish design that allows it to adapt to any environment.

Up to 93% Brushless motor efficiency with low power electronic control.

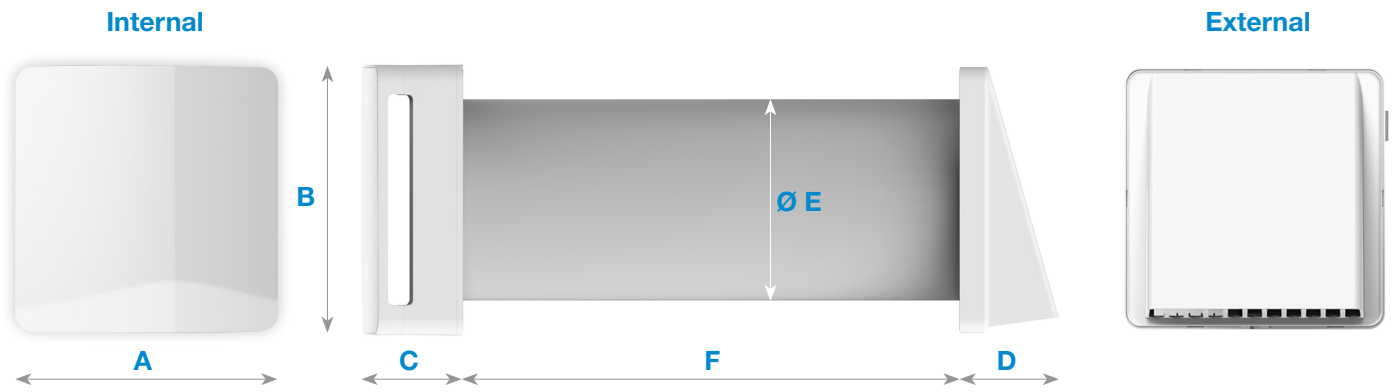
Ventilation system with ceramic heat recovery and alternating cycle operation.

Conceived for continuous operation, with manual or automatic flow adjustment in relation to humidity level, and CO₂ (optional), to ensure maximum air quality within the premises.

Characteristics

- Ceramic heat exchanger.
- Ventilation system alternating in intake and extraction cycles every 70 seconds.
- Diameter of hole 160 mm.
- Filters on both sides of the exchanger.
- No anti-frost control required.
- Capacity up to 60 m³/h.
- Supply voltage 230V.
- 3 speeds.
- Wireless Command.
- Synchronized operation of Master-Slave drives (up to 16).
- Proportional flow rate through hygostat.
- Light sensor.
- Bi-color LEDs showing the selected parameters.

Figure Dimentions



Parameters	Dimentions (mm)
Width (A)	215
Height (B)	215
Depth (C)	83
Depth (D)	80.5
Tube diameter (Ø E)	160
Lenght (F)	400 (standard)
	700 (on request)
Minimum installation lenght (F)	250

Figure Components

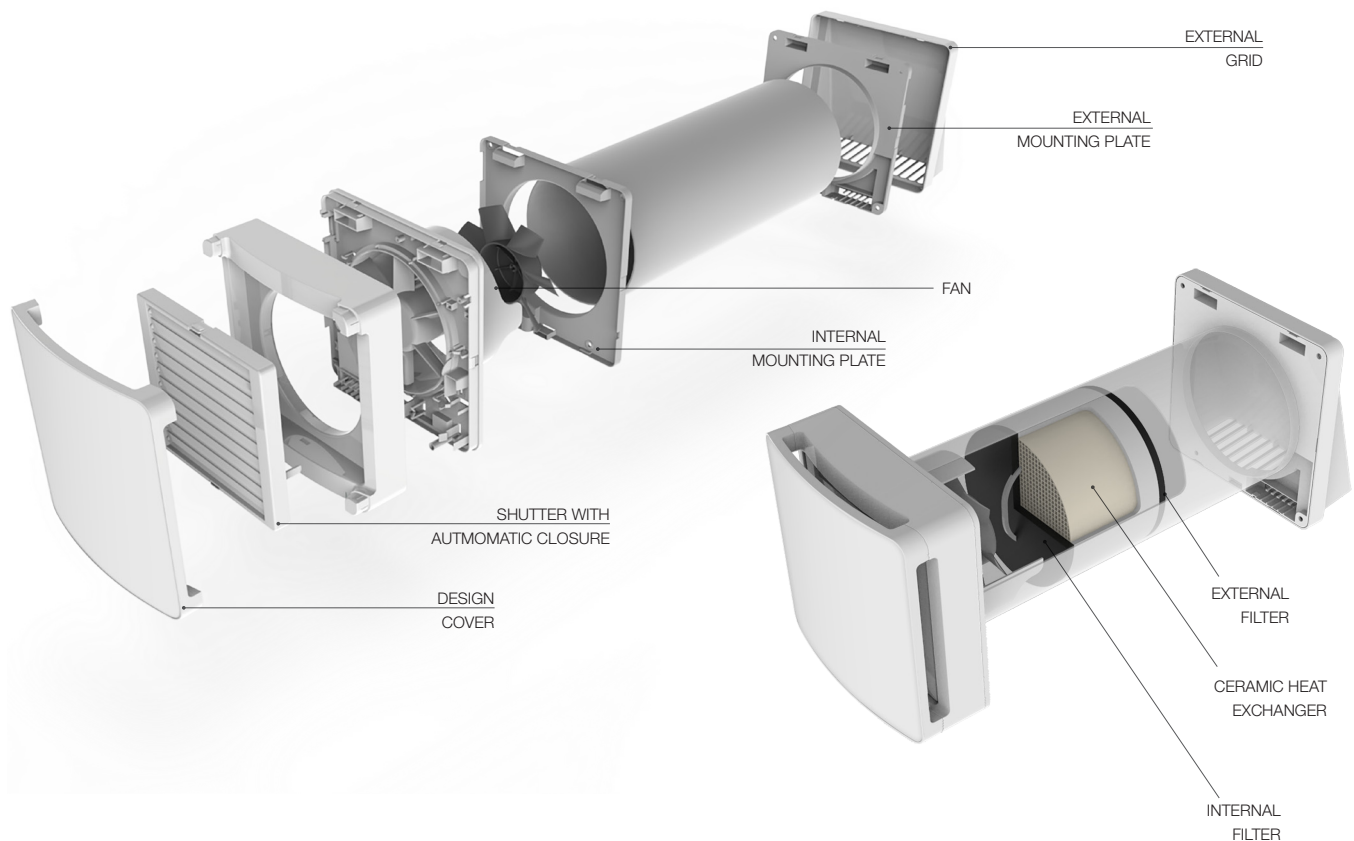


Table Technical details


Characteristics	
Model	BREZZA 60
Pipe diameter (mm)	160
Supply voltage (Volt)	220-240
Frequency (Hz)	50
Maximum input flow rate (m ³ /h)	60
Maximum input flow rate (l/s)	16,67
Maximum output flow rate (m ³ /h)	60
Maximum output flow rate (l/s)	16,67
Maximum pressure (mm H ₂ O)	3,1
Maximum pressure (Pa)	31
Maximum power absorbed (W)	8,9
Maximum yield	93%
Noise level at 3 m distance at speed 1 (dB(A))	13
Noise level at 3 m distance at speed 2 (dB(A))	20
Noise level at 3 m distance at speed 3 (dB(A))	23
Protection (IP)	IPX4
Working temperature (°C)	- 20° C / + 50° C
Maximum working relative humidity (%)	80%
Weight (Kg)	4,3
Mark	

Table Speed - Flow rate - Power

Fan speed	Flow rate (m ³ /h)	Absorbed power (W)
1	30	4,9
2	45	6,9
3	60	8,9

Approvals:

The approvals of Valsir® HRV systems are available on the website: www.valsir.com

Figure Control units



REMOTE CONTROL



REMOTE PANEL

Functions of remote controls

Symbol	Mode	Description
	Automatic mode	The product will work in automatic mode as by factory settings, maintaining an ideal comfort.
	Surveillance	The product will be turned off but active thanks to its sensors. In the case of varieties of values such as humidity, the product will start working until the pre-set threshold is reached.
	Air intake mode	The product will absorb air if installed in a single unit, otherwise in case of multiple units, all the products will absorb air at the same time.
	Air extraction mode	The product will extract air if installed in a single unit, otherwise in the case of multiple units, all the products will extract air at the same time.
	Airflow mode	This function is active and functional if the products are at least two. By activating this function, the products generate an airflow that provides the only input and output of the air at the same time for the desired period while keeping the environment always balanced. Useful in case of rapid replacement of air.
	Fan speed	Adjusting the 3 speeds of fan rotation
	Humidistat	Humidity sensor with 3 levels set: minimum (40%), average (55%) and maximum (70%).
HUMIDITY ●	Humidistat LED	Warning “humidity alarm” indicating an excess of humidity in the air.
FILTER ●	Filter LED	“Filter alarm” indicator indicating that the filter needs cleaning.
CO2 ●	CO ₂ LED	LED indicating that the CO ₂ threshold has been exceeded.

PLUMBING

WASTE SYSTEMS



SUPPLY SYSTEMS



GAS SYSTEMS



FLUSH SYSTEMS



BATHROOM SYSTEMS



TRAPS



RADIANT SYSTEMS



DRAINAGE SYSTEMS



HRV SYSTEM



ACADEMY



SEWER SYSTEMS



WATER TREATMENT



BUILDING

valsir[®]
QUALITY FOR PLUMBING

VALSIR S.p.A.
Località Merlaro, 2
25078 Vestone (BS) - Italy
Tel. +39 0365 877.011
Fax +39 0365 81.268
e-mail: valsir@valsir.it

www.valsir.com

Soggetta all'attività di direzione e coordinamento ex art. 2497 bis C.C. da parte di Silmar Group S.p.A. - Codice Fiscale 02075160172